

**AXOR Universal Circular  
Shelf 400**

Surfaces: **Brushed Gold Optic** Article Number: **42844250**



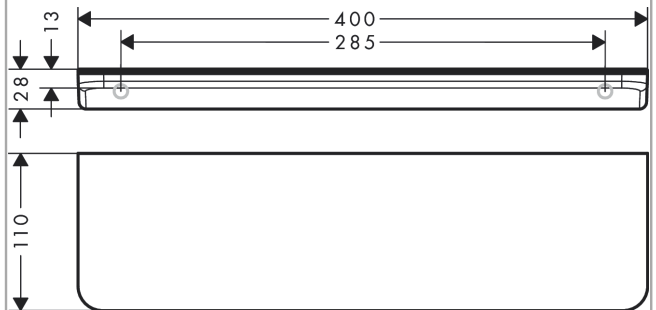
**product features**

- wall-mounted
- material frame: solid brass
- material shelf: metal
- length: 400 mm
- with mounting material
- concealed fastening
- drilling distance: 340 mm
- diameter drill hole: 6 mm
- suitable for shower

**Product image**



**Scale drawing**

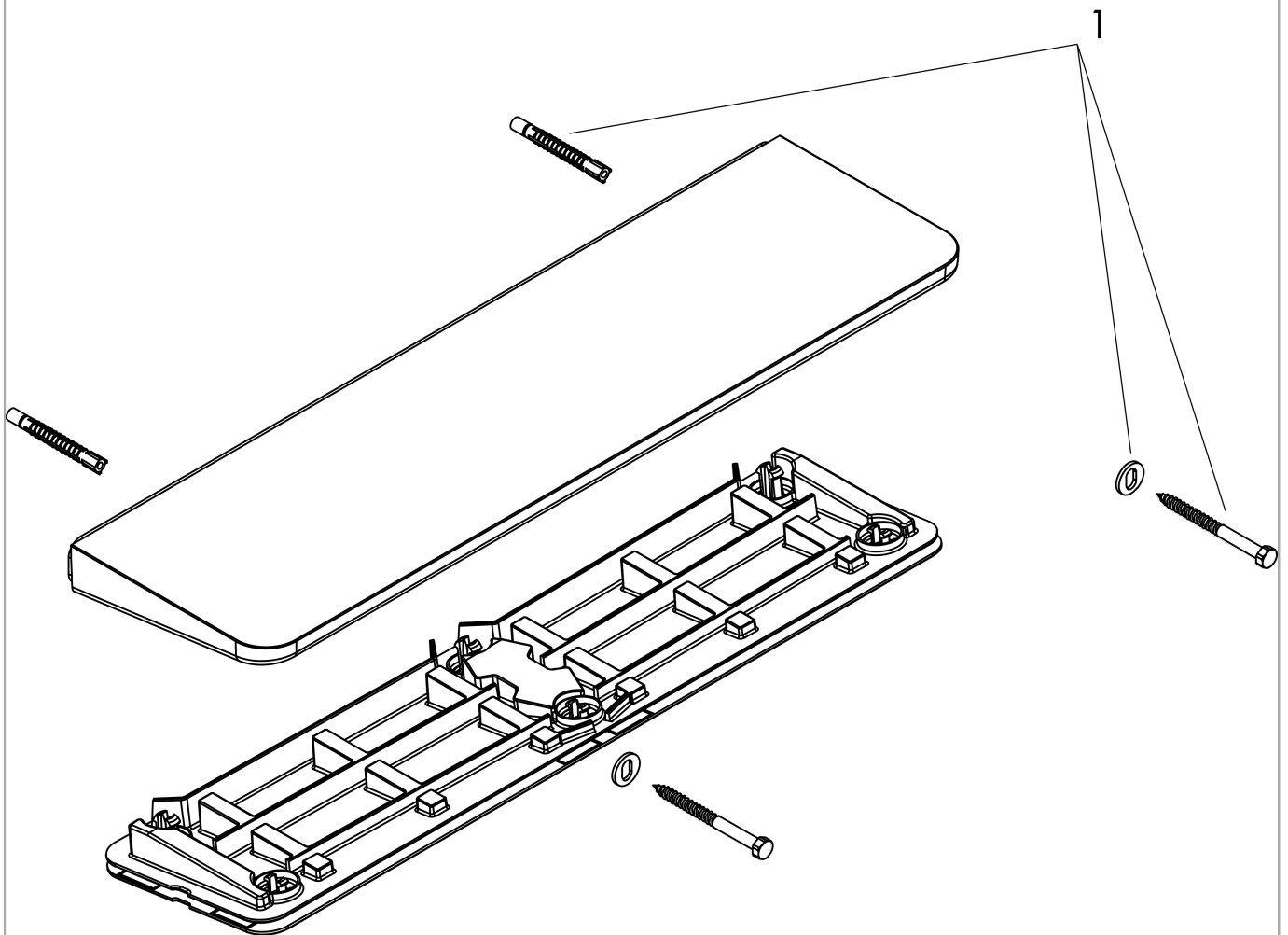


**AXOR Universal Circular  
Shelf 400**  
Surfaces: **Brushed Gold Optic**    Article Number: **42844250**



## Exploded Drawing

Year of production: >04/22



## AXOR Universal Circular

### Shelf 400

Surfaces: **Brushed Gold Optic** Article Number: **42844250**



### Spare part list

Year of production: >04/22

Pos.		Article Number	Price	PU
1	mounting set	98716000	€ 13,92	1